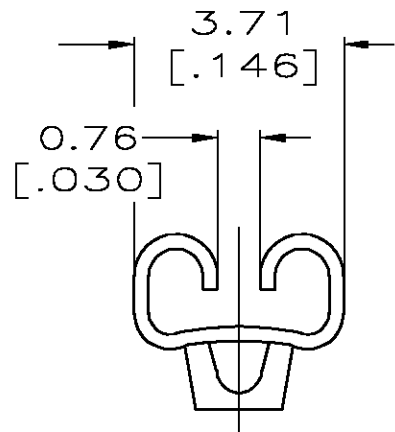
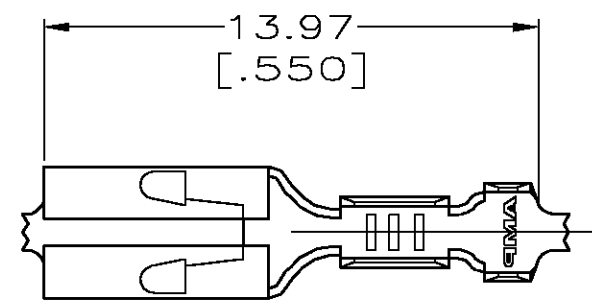


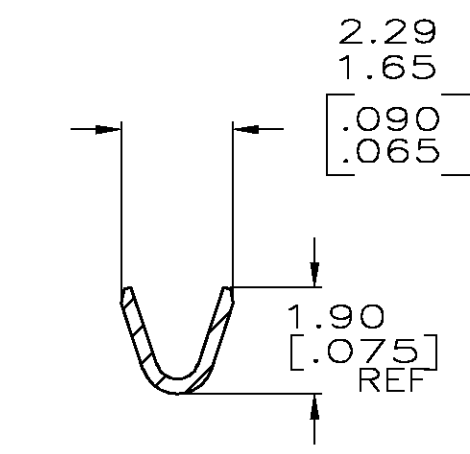
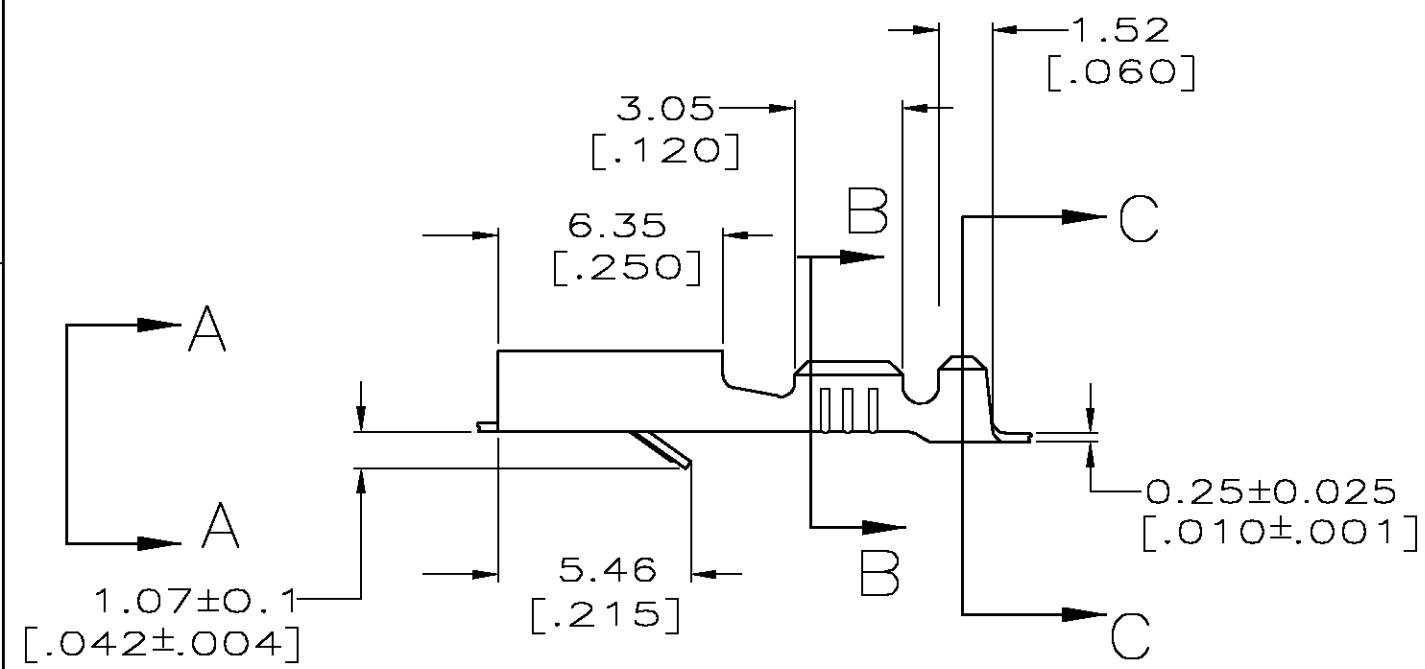
THIS DRAWING IS UNPUBLISHED. RELEASED FOR PUBLICATION  
 © COPYRIGHT BY TYCO ELECTRONICS CORPORATION. ALL RIGHTS RESERVED.

LOC	DIST	REVISIONS				
P	LTR	DESCRIPTION	DATE	DWN	APVD	
AF	50	J	REL PER OG3A-0036-03	20JAN03	JR ND	

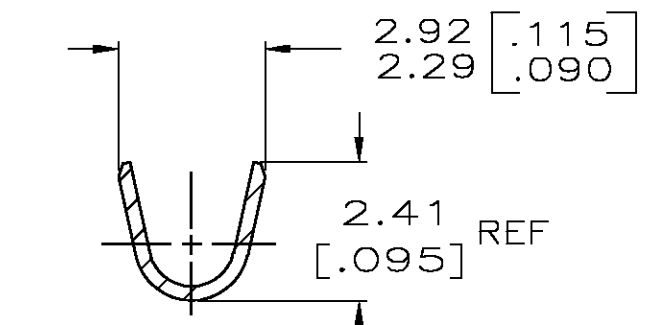


- 1 CONTINUOUS STRIP ON REELS.
- 2 MATING TAB THK TO BE 0.81±0.025 [.032±.001].
- 3 WIRE SIZE IS [#24-#20] AWG.
- 4 INSULATION RANGE IS 1.27-2.03 [.050-.080] DIA.

VIEW A-A  
SCALE 8:1



SECTION B-B  
SCALE 8:1



SECTION C-C  
SCALE 8:1

-	1217281-3
0.002032 [.000080] MIN PRE-TIN	1217281-2
0.002032 [.000080] MIN TIN	1217281-1
FINISH	PART NO.

TYPE	WIDTH	STRIP LENGTH ±0.38 ±[.015]	TYPE	WIDTH	±.051 [±.002] HEIGHT	WIRE
F	2.29 [.090]	3.96 [.156]	F	1.40 [.055]	1.02 [040]	[#20]
					0.91 [036]	[#22]
					0.84 [033]	[#24]
INSUL BARREL CRIMP			WIRE BARREL CRIMP			

THIS DRAWING IS A CONTROLLED DOCUMENT.

DIMENSIONS: MM	TOLERANCES UNLESS OTHERWISE SPECIFIED:
	0 PLC ± -
	1 PLC ± -
	2 PLC ± 0.38 [.015]
	3 PLC ± -
	4 PLC ± -
	ANGLES ± -
MATERIAL	FINISH
H04 BRASS	SEE TABLE

DWN	JR RUTH	29NOV99
CHK	MS FEHER	29NOV99
APVD	D BRATINA	29NOV99
PRODUCT SPEC	-	-
APPLICATION SPEC	114-2065	-
WEIGHT	-	-
CUSTOMER DRAWING		

<b>tyco</b> Electronics		Tyco Electronics Corporation Harrisburg, PA 17105	
NAME RECEPTACLE, FASTIN-FASTON, 2.79 [.110] SERIES			
SIZE	CAGE CODE	DRAWING NO	RESTRICTED TO
A3	00779	C-1217281	-
SCALE 5:1		SHEET 1 OF 1	REV J